

Eng. Marcio José Soares

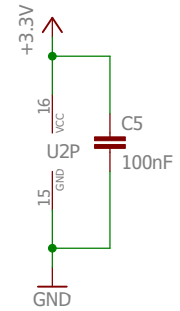
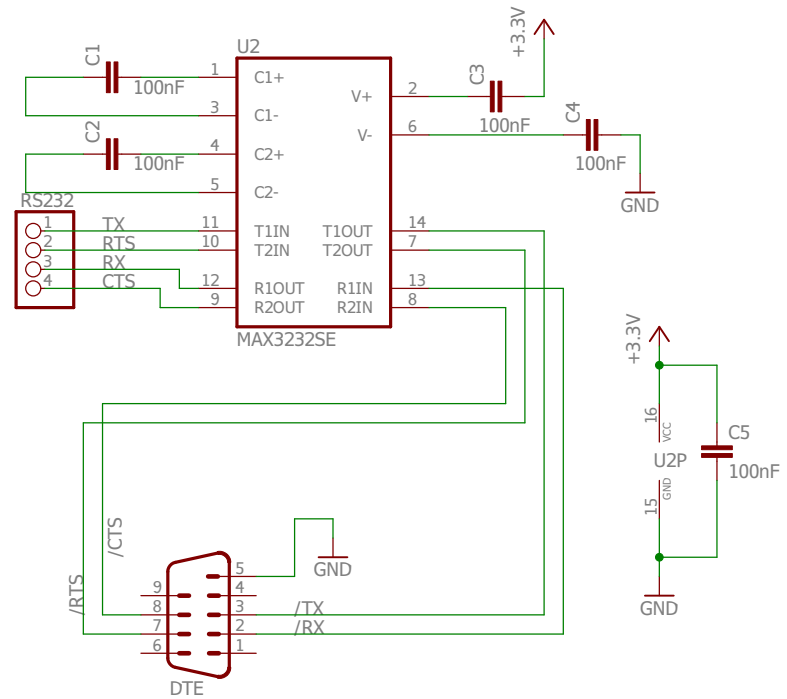
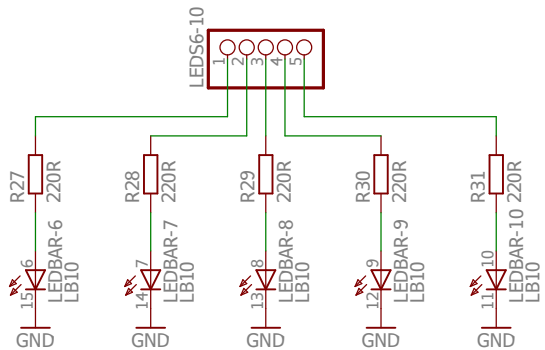
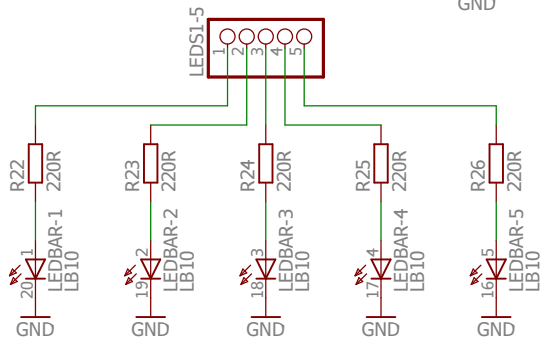
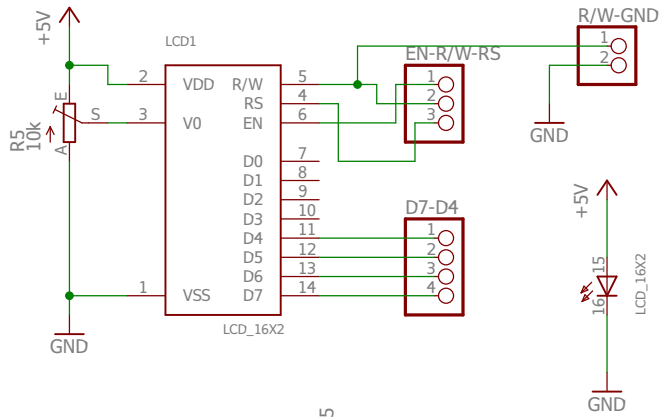
TITLE: placa_PE-stm32_01

Document Number:

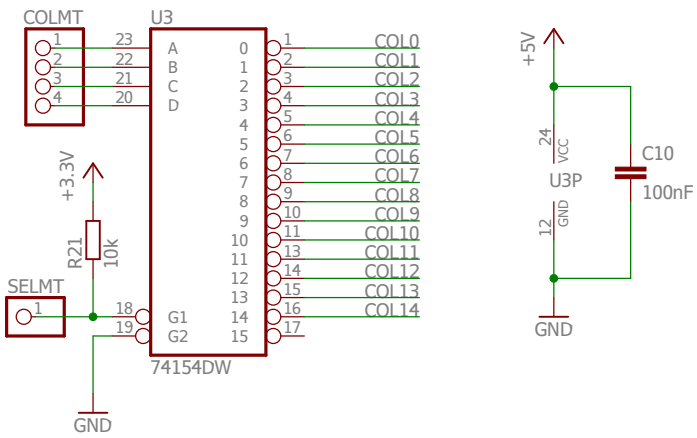
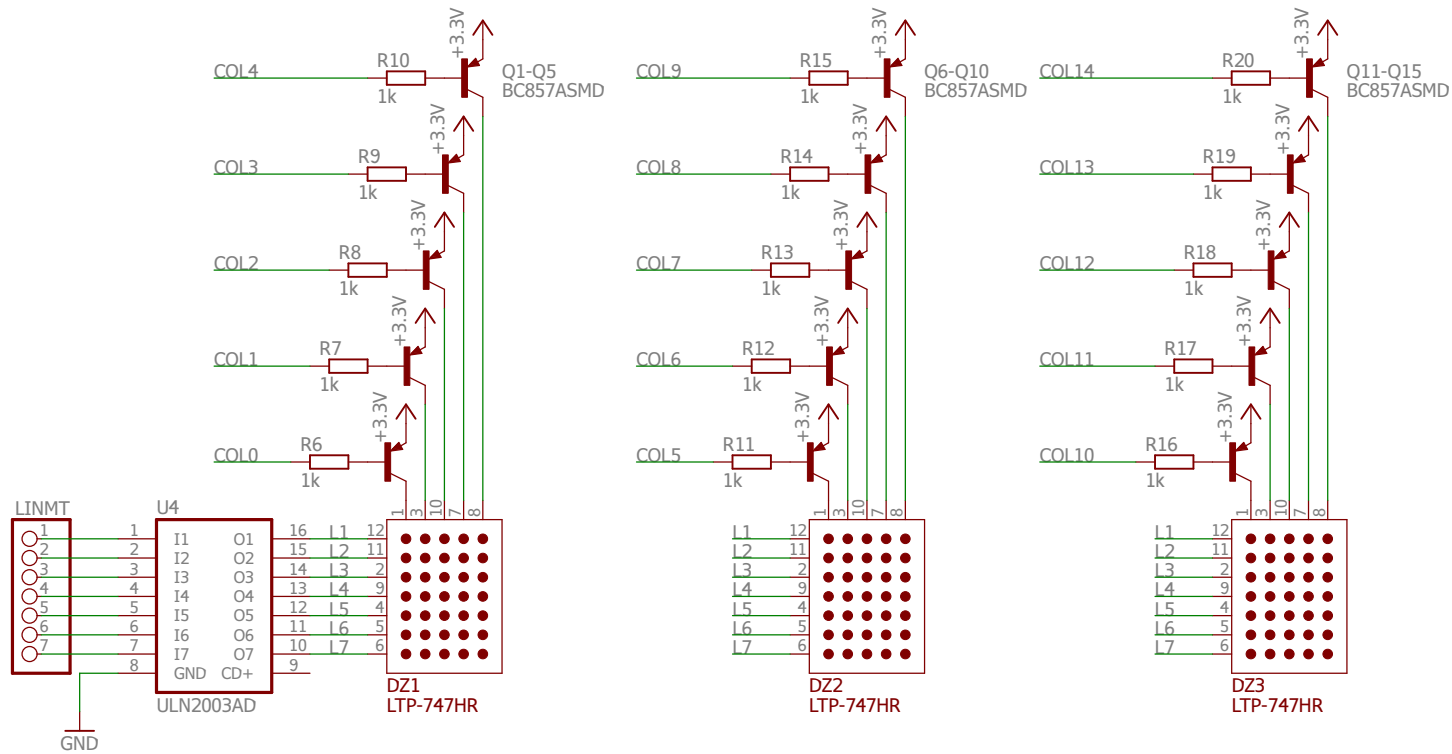
REV:

Date: 13/7/2023 13:15

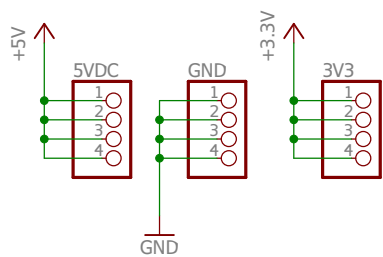
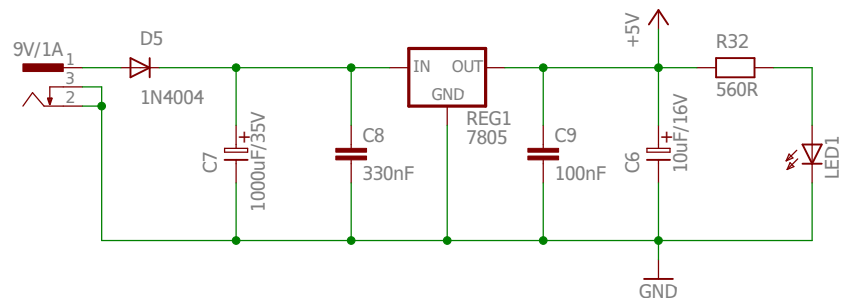
Sheet: 1/4



Eng. Marcio José Soares	
TITLE: placa_PE-stm32_01	
Document Number:	REV:
Date: 13/7/2023 13:15	Sheet: 2/4



Eng. Marcio José Soares	
TITLE: placa_PE-stm32_01	
Document Number:	REV:
Date: 13/7/2023 13:15	Sheet: 3/4



Eng. Marcio José Soares

TITLE: placa_PE-stm32_01

Document Number:

REV:

Date: 13/7/2023 13:15

Sheet: 4/4